



NU 202 ECP

- Popular item

Cylindrical roller bearings, single row

Bearing data

Tolerances,

Normal (metric), P6, Normal (inch),

Radial internal clearance,

cylindrical bore, tapered bore,

Axial internal clearance,

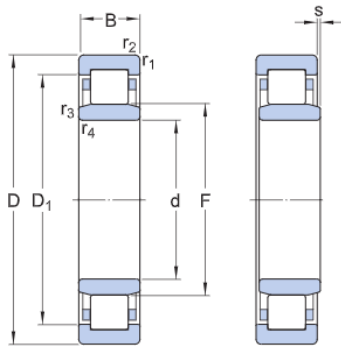
NUP, NJ + HJ

Bearing interfaces

Seat tolerances for standard conditions,

Tolerances and resultant fit

Technical specification

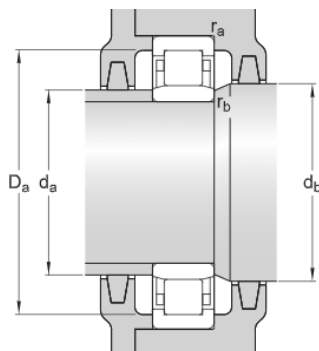


DIMENSIONS

d	15 mm	Bore diameter
D	35 mm	Outside diameter
B	11 mm	Width
D1	≈27.7 mm	Shoulder diameter of outer ring
F	19.3 mm	Chamfer dimension of loose flange ring
r1,2	min.0.6 mm	Chamfer dimension
r3,4	min.0.3 mm	Chamfer dimension
s	max.1 mm	Permissible axial displacement

ABUTMENT DIMENSIONS

da	min.17.4 mm	Diameter of spacer sleeve
da	max.18.4 mm	Diameter of spacer sleeve
db	min.21 mm	Diameter of shaft abutment
Da	max.31.3 mm	Diameter of housing abutment
	max.0.6	Radius of



ra	mm	fillet
rb	max.0.3 mm	Radius of fillet

CALCULATION DATA

Basic dynamic load rating	C	12.5 kN
Basic static load rating	C ₀	10.2 kN
Fatigue load limit	P _u	1.22 kN
Reference speed		22 000 r/min
Limiting speed		26 000 r/min
Minimum load factor	k _r	0.15
Limiting value	e	0.2
Axial load factor	Y	0.6

MASS

Mass		0.047 kg
------	--	----------